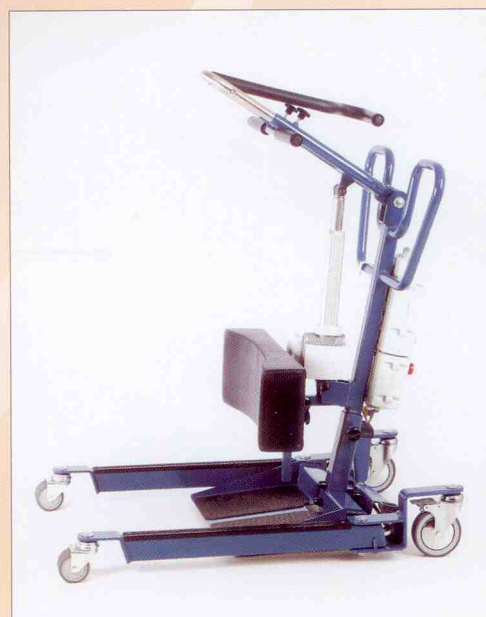


Moving and Handling



01869 327999



01869 327000

www.disabilityequipment.com Email: sales@caisl.co.uk
Telford Business Centre, Telford Road, Bicester, OX26 4LD

SPECTRA CONNECT CEILING TRACK HOIST SYSTEM

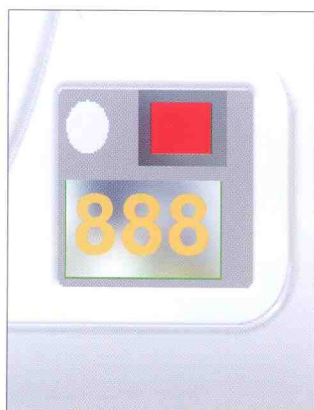
TECHNICAL INFORMATION



The NEW Spectra Connect ceiling track hoist has been ergonomically designed to provide a simple and unobtrusive unit. The introduction of modern materials has achieved an ultra quiet operation with the minimum of impact.

The system is innovated using the latest design technology, constructed from the highest quality proven components and materials providing a perfect solution for the controlled and safe transfer of people.

NEW LED DISPLAY & CONTROLS



- ◆ Integral weighing indicator device
- ◆ Number of operations counter
- ◆ Service required indicator
- ◆ Audible low battery indicator
- ◆ Battery charging indicator
- ◆ Powered emergency lowering
- ◆ Electronic microprocessor soft-start and stop motor control

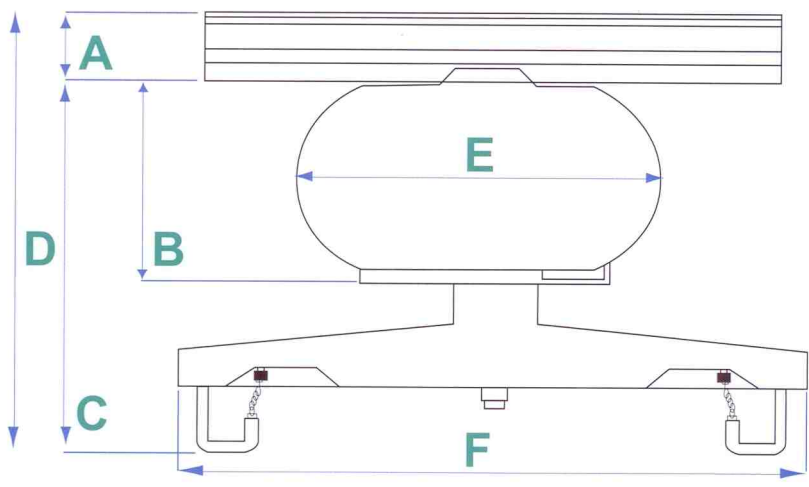
HAND CONTROL



- ◆ Comfortable handhold position
- ◆ Micro touch, raised buttons
- ◆ Arrow indication for raising & lowering
- ◆ Blue and red colour indication for traverse movement
- ◆ Infra-red hand control (optional)
- ◆ Waterproof, for safe use in bathing/swimming pool areas
- ◆ Automatic return to charge function initiated by user (optional)

Technical Specifications for Standard Product

Lifting capacity	200kgs/31.6st	
Unit weight	15kgs/33lbs	
Track height	A	60mm
Hoist height	B	173mm
Track to hook height	C	290mm
Track top to hook height	D	350mm
Hoist width	E	312mm
Spreader bar length	F	555mm



SPECTRA CONNECT CEILING TRACK HOIST SYSTEM



CONNECT TRACK HOIST

- ◆ Ultra slim design
- ◆ Lightweight unit
- ◆ Soft start in all directions
- ◆ Rechargeable backup batteries
- ◆ Overload device
- ◆ Audible diagnostic indicators
- ◆ Return to base station function (optional)
- ◆ Safe working load 200kgs
- ◆ 2 year warranty



The NEW Spectra Connect ceiling track hoist can initially be fitted using our gantry frame for fast installation to accommodate an “immediate response” situation or a hospital discharge.

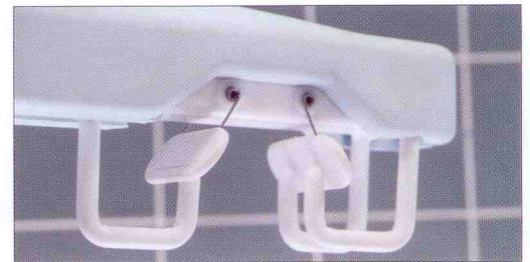
The hoist unit can then be re-used following installation of the permanent track system and therefore eliminating the need for a more expensive portable hoist - a cost effective and efficient solution.

STAINLESS STEEL and plastic moving parts make it ideal in showering and bathing areas, hydro-therapy pools or other harsh environments.



SPREADER BAR

- ◆ Full 360 rotation
- ◆ Fully padded cover
- ◆ Safety Clips
- ◆ Available with 4 or 6 hooks



NEWSLIMLINE DESIGN

The ultra slim unit gives additional clearance when lifting in restricted headroom areas.

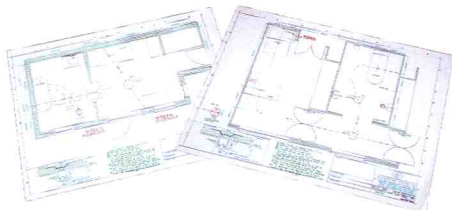
- ◆ Garage conversions
- ◆ Property extensions
- ◆ Portacabins
- ◆ Mobile Homes
- ◆ Summer Houses
- ◆ House Boats

SPECTRA CONNECT CEILING TRACK HOIST SYSTEM

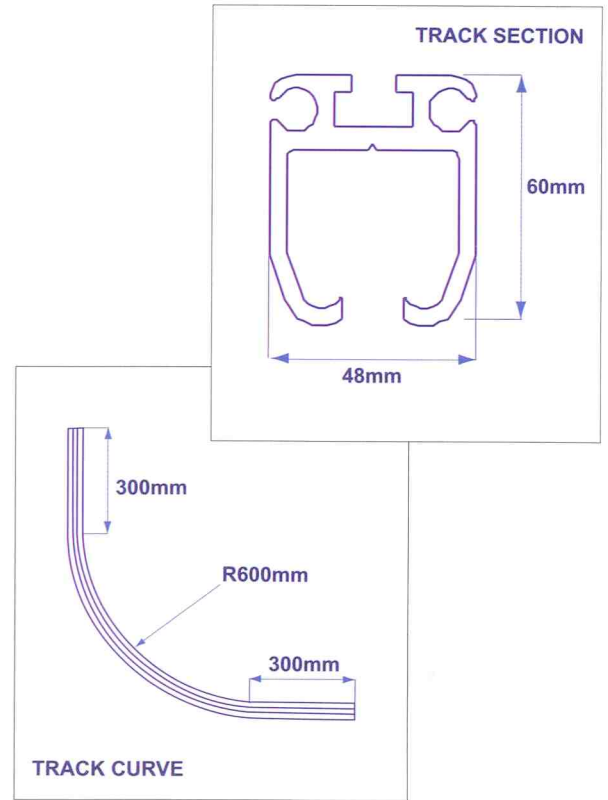
TECHNICAL INFORMATION

TRACK SPECIFICATIONS

- ◆ Aluminium, white coated
- ◆ Ceiling fixing via brackets as 1200mm maximum intervals
- ◆ Wall to wall fixing for a span up to 3000mm with 50mm x 50mm steel bracing, supplied
- ◆ Wall to wall fixing for a span over 3000mm up to 5000mm with 100mm x 50mm steel bracing, supplied
- ◆ Over 5000mm length available
- ◆ Curve radius, 600mm
Fixings required at each end and at mid-curve
- ◆ Curve angle, any angle upto 90 degrees



Plans Submitted for Approval



ELECTRIC TURNTABLE SPECIFICATIONS

- ◆ Operation via the hoist, no separate power supply needed
- ◆ Turntable rotation operated by the hoist hand control
- ◆ Rotation angles, 90° as standard with 3 or 4 exits. Other rotation angles available.



Technical Specifications for Standard Product		
Lifting capacity	200kgs/31.6st	
Unit weight	15kgs/33lbs	
Turntable diameter	A	450mm
Fixing Centres	B	320mm

Track

Track

Track

Track